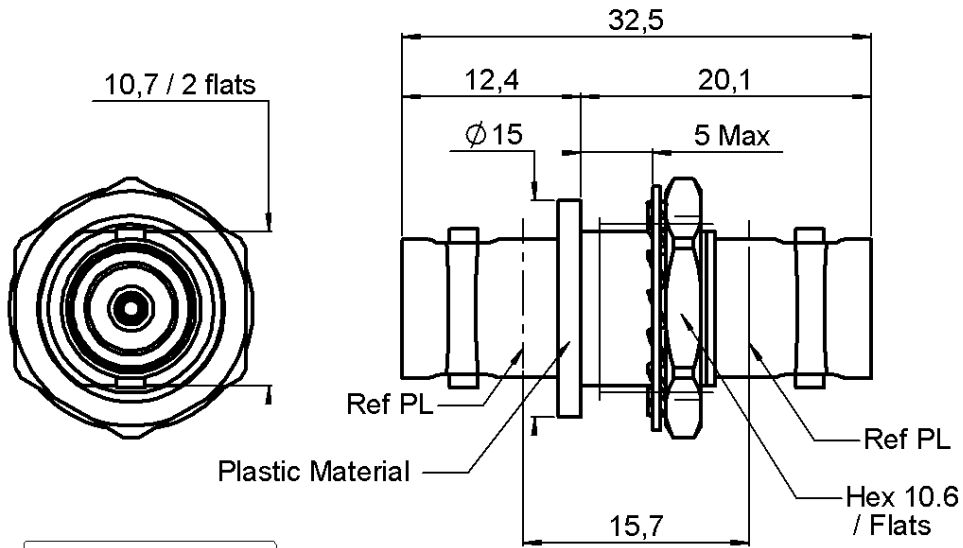


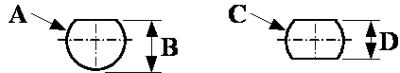
FEMALE-FEMALE BULKHEAD ADAPTOR

R142.723.162

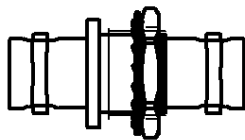
Series : **BNC 75-COM**



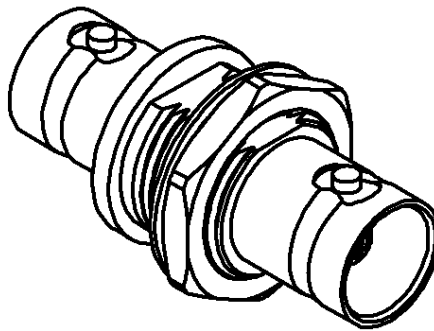
PANEL CUT OUT



		mm				mm	
		Maxi	mini			Maxi	mini
A		12.8	12.7	C		12.8	12.7
B		12.1	12	D		10.9	10.8



Scale 1/1



All dimensions are in mm.



COMPONENTS	MATERIALS	PLATING (µm)
BODY	BRASS	NICKEL 2
CENTER CONTACT	BRASS	GOLD 0.2 OVER NICKEL 2
OUTER CONTACT	-	-
INSULATOR	PTFE	-
GASKET	-	-
OTHERS PARTS	POLYAMID 6/6 (NYLON)	MALE CENTER CONTACT
-	-	-
-	-	-

Issue : 0640 A

In the effort to improve our products, we reserve the right to make changes judged to be necessary.



FEMALE-FEMALE BULKHEAD ADAPTOR

R142.723.162

Series : **BNC 75-COM**

PACKAGING

SPECIFICATION

Standard	Unit	Other
UNITAIRE	-	Contact us

ELECTRICAL CHARACTERISTICS

ENVIRONMENTAL

Impedance	75	Ω
Frequency	0-1.5	GHz
VSWR	1.35 + 0,0000	x F(GHz) Maxi
Insertion loss	0.2	$\sqrt{F(GHz)}$ dB Maxi
RF leakage	- (NA)	- F(GHz)) dB Maxi
Voltage rating	500	Veff Maxi
Dielectric withstanding voltage	1000	Veff mini
Insulation resistance	5000	M Ω mini

Operating temperature	-35/+70	$^{\circ}$ C
Hermetic seal	NA	Atm.cm3/s
Panel leakage	NA	

OTHER CHARACTERISTICS

Assembly instruction

Others :

MECHANICAL CHARACTERISTICS

Center contact retention		
Axial force – Mating end	15	N mini
Axial force – Opposite end	15	N mini
Torque	NA	N.cm mini
Recommended torque		
Mating	NA	N.cm
Panel nut	370	N.cm
Mating life	100	Cycles mini
Weight	10,3500	g

Issue : 0640 A

In the effort to improve our products, we reserve the right to make changes judged to be necessary.

